

Pressure relief valves of the series RE06M*W are direct operated proportional valves typically used as remote control valves for flow rates below 3 l/min.

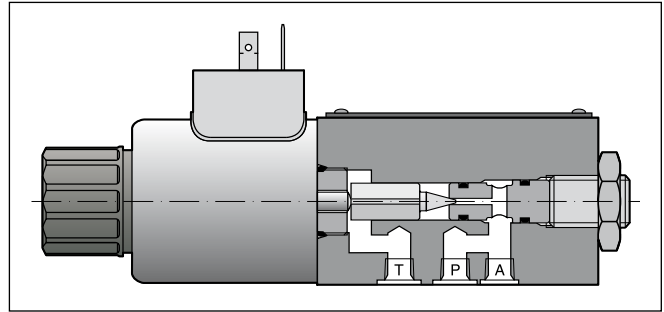
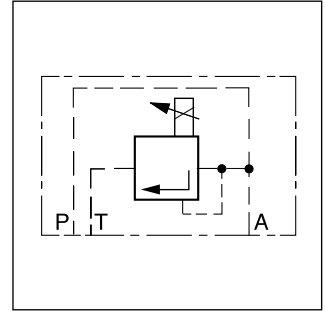
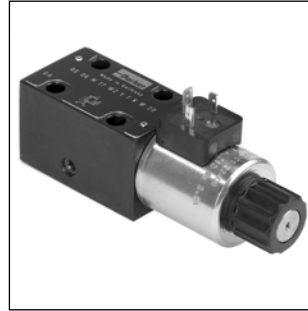
Function

When the pressure in port P or A exceeds the pressure setting at the solenoid, the cone opens to port T and limits the pressure in port P to the adjusted level.

The optimum performance can be achieved in combination with the digital amplifier module PCD00A-400.

Features

- Direct operated with proportional solenoid
- Very low pressure adjustment of p_{min}
- 2 pressure ports, A and P
- Subplate mounting according to ISO 6264
- 4 pressure stages



4

Technical data

General		
Nominal size		DIN NG06 / CETOP03 / NFPA D03
Interface		Subplate mounting according to ISO 6264
Mounting position		as desired, horizontale mounting preferred
Ambient temperature	[°C]	-20 ... +70
MTTF _D value	[years]	150
Weight	[kg]	1.8
Hydraulic		
Max. operating pressure	[bar]	Ports P and A up to 350; port T 30
Pressure stages	[bar]	105, 175, 250, 350
Nominal flow	[l/min]	See p/Q curves
Fluid		Hydraulic oil as per DIN 51524 ... 51525
Viscosity, recommended permitted	[cSt] / [mm ² /s] [cSt] / [mm ² /s]	30 ... 80 12 ... 380
Fluid temperature	[°C]	-20 ... +60
Filtration		ISO 4406 (1999), 18/16/13 (acc. NAS 1638:7)
Linearity	[%]	±2.8
Repeatability	[%]	<±1
Hysteresis	[%]	±1.5 of p_{max}
Electrical		
Duty ratio	[%]	100 ED
Protection class		IP 65 in accordance with EN 60529 (with correctly mounted plug-in connector)
Nominal voltage	[V]	12 (2.3 A max. current), 16 (1.3 A max. current)
Coil resistance	[Ohm]	4 at 20°C
Solenoid connection		Connector as per EN 175301-803
Power amplifier, recommended		PCD00A-400

RE **06** **M** **W** **2** **1** **W**

Proportional
pressure
relief valve

NG06

Interface
ISO 6264

Pressure
stage

External
electronics

Seals

Normaly
open

Solenoid
voltage

Plug
connection
EN 175301-
803

Design
series
(not required
for ordering)

Code	Pressure stage
10	up to 105 bar
17	up to 175 bar
25	up to 250 bar
35	up to 350 bar

Code	Solenoid voltage
K	12 V, 2.3 A
X	16 V, 1.3 A

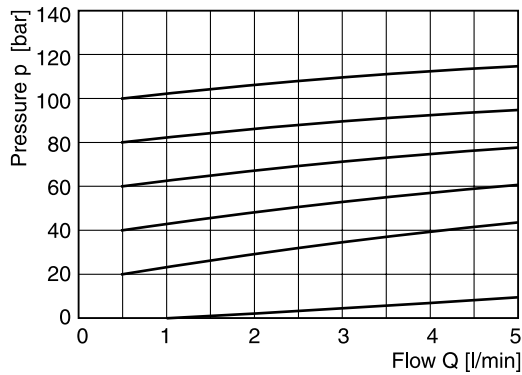
Code	Seals
N	NBR
V	FPM

**Bold letters =
 Short-term availability**

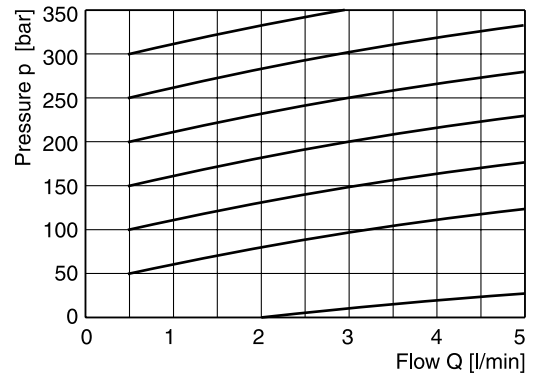
4

p/Q curves

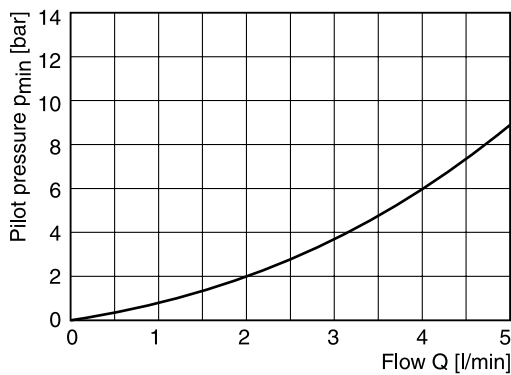
Pressure stage 105bar



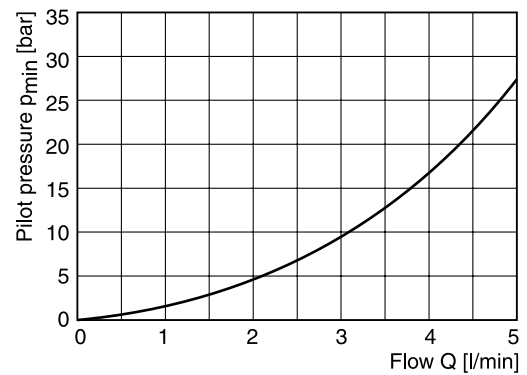
Pressure stage 350bar



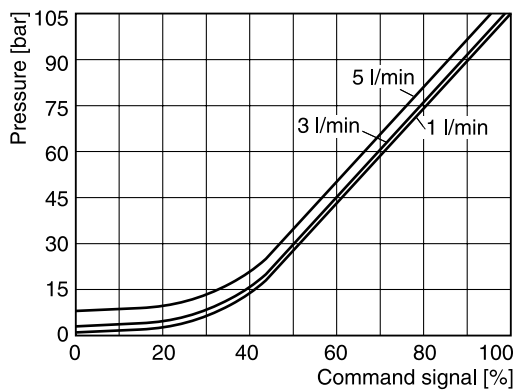
Min. adjusted pressure
Pressure stage 105bar



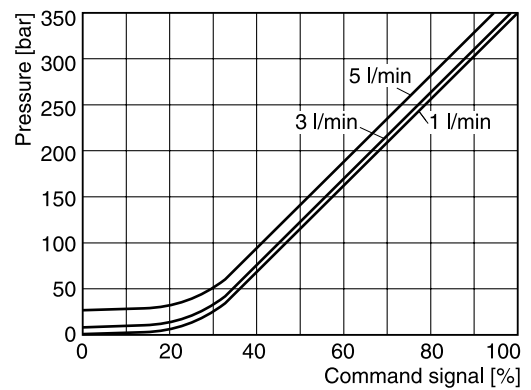
Pressure stage 350bar



Pressure/signal curve
Pressure stage 105bar

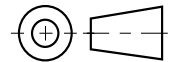
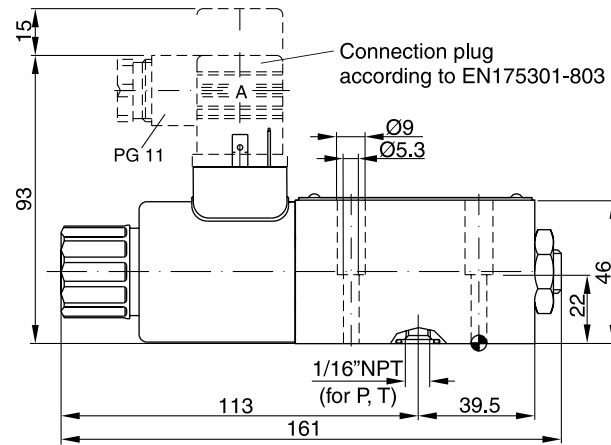
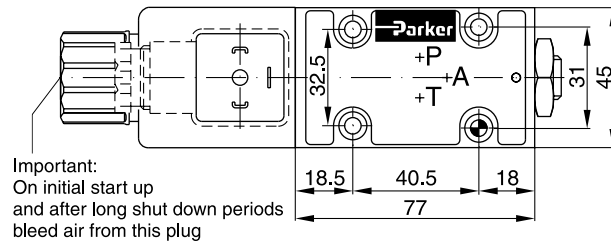


Pressure stage 350bar



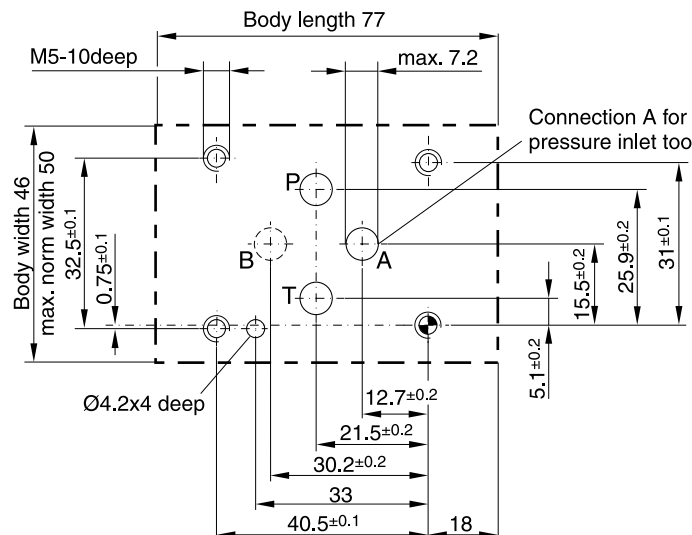
All characteristic curves measured with HLP46 at 50°C.

RE06M*W



Surface finish	Bolt kit			Kit	
				NBR	FPM
	BK 375	4x M5x30 DIN 912 12.9	7.6 Nm ±15%	SK-RE06MNW	SK-RE06MVW

Mounting pattern ISO 6264-03-04-*-97



Port B: O-ring recess diameter on valve body.